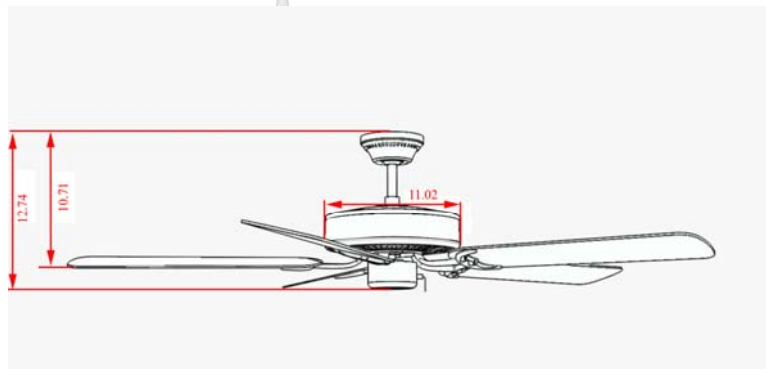


**Project Name** \_\_\_\_\_

**Type#** \_\_\_\_\_

**V6152-6**

**White**



**52" Diameter**

**12' Blade Pitch**

**153 X 12 MM Motor**

**Silicon Steel**

**Triple Capacitor**

**Reversible**

**3 Speed**

**78" Wire leads**

**Limited Life Time Warranty**

**UL Listed**

**Light Kit Adaptable**



**V0950**

**Fan Blade**

**White / White Wash Pine**

Volume Lighting 21160 Imperial Valley Drive, Houston, TX 77073

Phone (281) 821-6888

Fax (281) 821-6895

