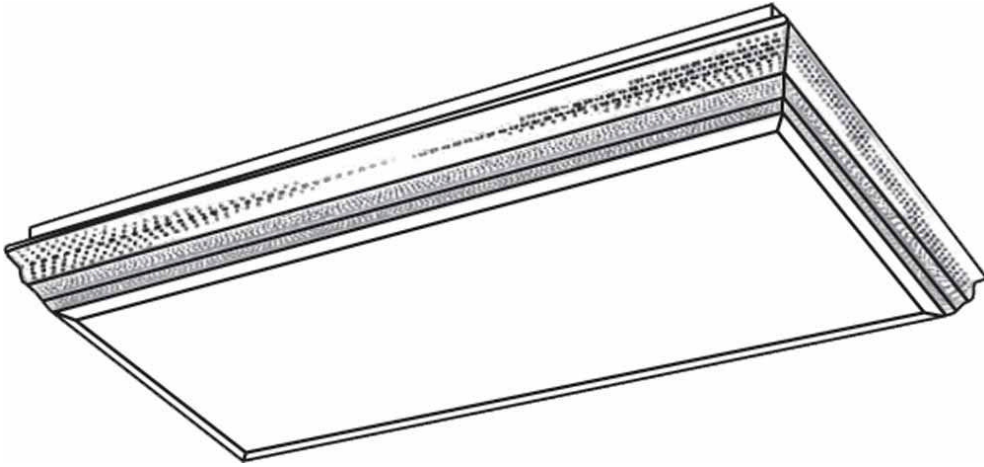


Project Name \_\_\_\_\_

Type # \_\_\_\_\_



**V8460-6 White**  
**Crown Molding Wood frame**  
**51 " L x 19" W x 4 1/2" H**  
**4 – F32T8 HPF 120 V ELB**  
**White Acrylic Diffuser**



**VOLUME**  
**LIGHTING**

21160 Imperial Valley Drive

Houston, Texas 77073

Phone 1-281-821-6888 Fax 1-281-821-6895

Email [sales@volumelighting.com](mailto:sales@volumelighting.com)